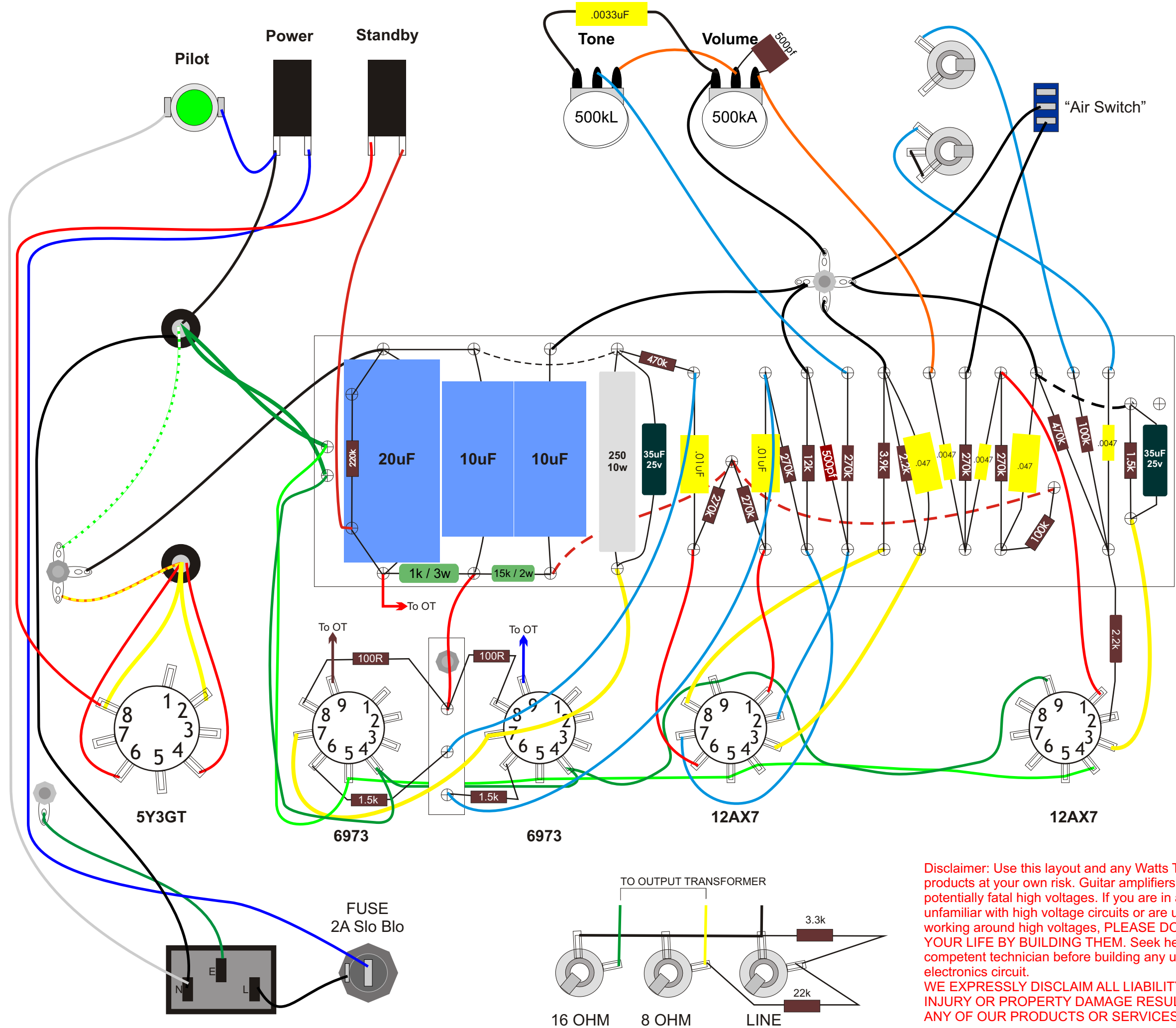


# MODEL 24 LITE

Based on the Supro Model 24 Amplifier



Disclaimer: Use this layout and any Watts Tube Audio products at your own risk. Guitar amplifiers carry potentially fatal high voltages. If you are in any way unfamiliar with high voltage circuits or are uncomfortable working around high voltages, PLEASE DO NOT RISK YOUR LIFE BY BUILDING THEM. Seek help from a competent technician before building any unfamiliar electronics circuit. WE EXPRESSLY DISCLAIM ALL LIABILITY FOR INJURY OR PROPERTY DAMAGE RESULTING FROM ANY OF OUR PRODUCTS OR SERVICES.

Please refer to the Watts Tube Audio forum for any additional questions or comments. All resistors 1/2 watt unless otherwise specified. Circuit modifications and layout design by Ken Watts. www.WattsTubeAudio.com 9/15/07